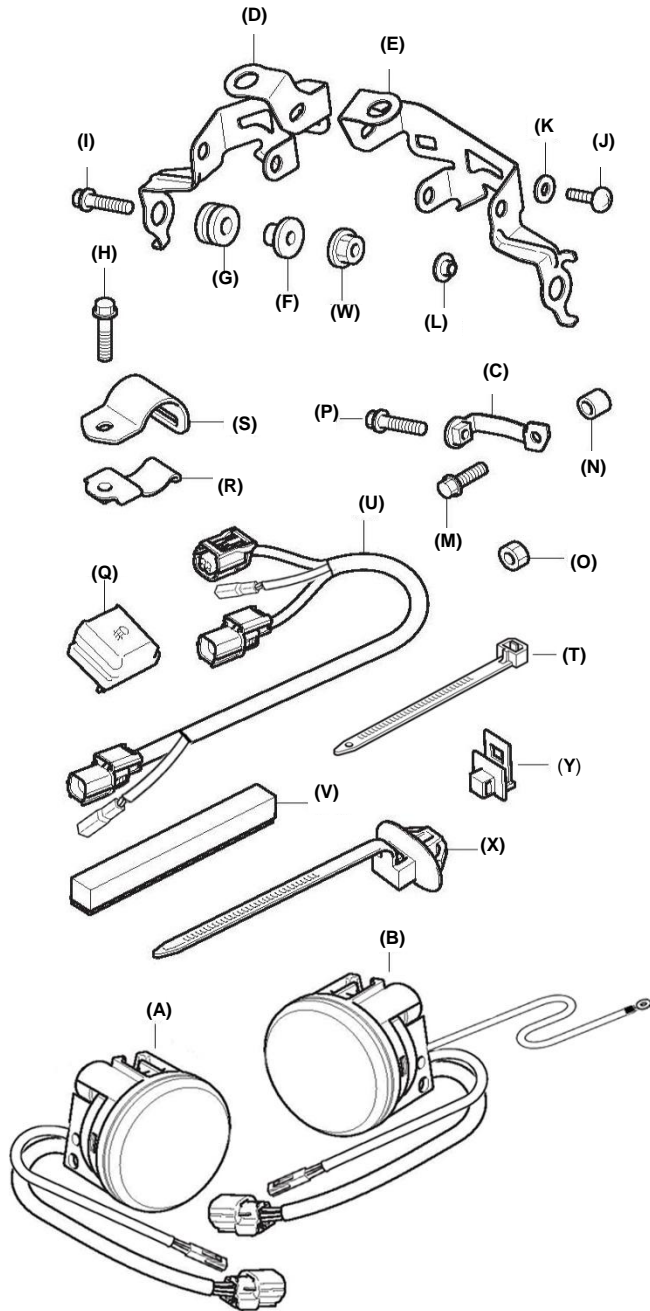


PARTS LIST & INFORMATION	ITEM / DESCRIPTION	PART NO.	MODEL
	PATHFINDERLED® MULTI-FUNCTION LED FOG LIGHT	G18MFS	GL1800 / 2018+

LIST OF HARDWARE



	Description	Qty
A	RIGHT LED Fog Light	1
B	LEFT LED Fog Light	1
C	Fog Light Adjuster	2
D	RIGHT Stay	1
E	LEFT Stay	1
F	Large - Flange Collar	4
G	Grommet	4
H	M6 x 25mm Flange Bolt	2
I	M6 x 20mm Flange Bolt	2
J	M6 x 8mm Screw	4
K	Washer	4
L	Small - Flange Collar	4
M	M6 x 16mm Flange Bolt	2
N	Spacer	2
O	6mm Nut	2
P	M6 x 12mm Flange Bolt	2
Q	Fog Light Switch	1
R	Pipe Band [A]	2
S	Pipe Band [B]	2
T	Wire Tie	7
U	Sub Harness	1
V	Cushion	2
W	6mm Flange Nut	2
X	Clip	2
Y	Holder Clip	2

**THIS PRODUCT IS RECOMMENDED TO BE
INSTALLED PROFESSIONALLY.**

INSTALLATION TIME: ESTIMATED 2-3 HOURS

We are doing our part to becoming a greener company in reducing printed materials and have made available an easy to follow YouTube installation video.

INSTRUCTIONS FOR LIGHT MODES - SEE PAGE 2

=====

Prior to start, review entire installation video and installation guide/manual that is provided online by visiting the links below:

- ▶ socialmotogear.com/g18mfsmanual
- ▶ socialmotogear.com/g18mfsvideo



TOOLS & SUPPLIES RECOMMENDED BUT NOT LIMITED TO:	
• Phillips Screwdriver	• File
• Ratchet	• Ruler
• Socket	• Marker
• Torque Wrench	• Masking Tape
• Snips	• Shop Towel(s)
	• Isopropyl Alcohol Bottle



Always check your lights before riding. Obey all Federal, State & local laws before operating this product.

LED strobe/modulating feature is intended for show or parade purposes only. It is the rider's responsibility to use good judgment when operating these lights.

DOT COMPLIANT: The DOT Compliant refers to the design of the light source projecting light behind our projector lens. This produces a clean beam pattern, unlike scattered lighting similar to some products we have tested in the past.

.....

All steps below are assuming the Fog Light indicator on your digital dashboard display is OFF (not lit).

MULTI-FUNCTION LIGHTING FEATURE MODES

All steps below are assuming the Fog Light indicator on your digital dashboard display is OFF (not lit):

1. **Mode A: Fog Lights + DRLs (Daytime Running Lights)**
 - Press Fog Light switch once. Fog Lights and DRLs come on.
 - Press Fog Light switch again. Both Fog Lights and DRLs are turned off.
2. **Mode B: DRLs (Daytime Running Lights)**
 - Press Fog Light switch 3 times (in 3 seconds) DRLs come on. [ON-OFF-ON]
 - Press Fog Light switch again. DRLs are turned off.

HOW TO TELL IF FOG LIGHTS ARE ON:

Fog Light indicator on the digital dash display is lit green.

TIP: *Gold Wing US model only, you can also use the flash-to-pass to toggle between the A and B modes.*

ENHANCED LED STROBE MODE

All steps below are assuming the Fog Light indicator on your digital dashboard display is OFF (not lit):

**This is a hidden mode that is used for Show/Parade purposes. This mode can only be enabled under the following conditions:

- ▶ WHEN YOU FIRST TURN THE IGNITION SWITCH ON.
PRESS THE FOG LIGHT SWITCH 5 TIMES.
(The LED fog lights should now be in STROBE mode.)
So that the strobe feature is not accidentally activated, after pressing the fog light switch 1-4 times OR the flash-to-pass button, you can only toggle between modes A and B.
- ▶ In order to activate Strobe Mode again, you must shut off the ignition and start the ignition and press the Fog Light Switch 5 times. Due to federal & state regulations, this was designed to prevent accidentally accessing the strobe mode while riding.

TIP: If you use your flash-to-pass OR press the fog light switch while in STROBE MODE, you will de-activate the strobe feature. You will now only have access to switch between MODE A and MODE B until you shut off your motorcycle and turn it back on again.

NOTE:

- ▶ **IF YOU SEE A GREEN FOG LIGHT INDICATOR ON YOUR DIGITAL DASH DISPLAY THEN YOUR FOG LIGHTS ARE ON.**
 - ▶ **By Default:** FOG LIGHTS + DRL LIGHTS ARE ALWAYS ON when there is power to the fog light switch (lit).
- TIP:** You can also cycle through the different lighting modes by engaging your hi/lo beam. It's always good to check which lighting mode you are on after using flash-to-pass. If you are uncertain, turn your fog lights off via the "fog light switch", when the lights come back on, they default to "Fog + DRL".